

SQV Valve Actuator

24 Vac/dc, Floating or Proportional Control
 Floating, 0-10 V or 4-20 mA
 Spring Return

NEW!



SQV Series Electro-Motoric Valve Actuators

Description

Pressure Independent Control Series SQV Electro-Motoric Valve Actuators require a 24 V ac or dc power supply and receive a floating, 0-10 V or 4-20 mA signal to control a valve. The SQV Actuators are available as either fail open or fail closed when used with the Siemens Flanged Pressure Independent Control Valves.

These actuators are designed to work the 2-1/2 and 3 inch Pressure Independent Control Series Valves with a 3/4-inch (20 mm) stroke and the standard Siemens Flowrite bonnet connection.

Features

- Operating voltage: AC/DC 24V
- Control signals: 3-position, DC 0 to 10V, DC 4 to 20 mA
- Fail-safe function
- Position feedback
- Manual adjuster
- Position and status indication (LED)
- Selectable positioning times from 40 to 120 seconds for 3/4 inch (20 mm) Stroke
- Selection of acting direction and flow characteristic
- Direct mounting on Pressure Independent Control Valves
- UL Listed

Applications

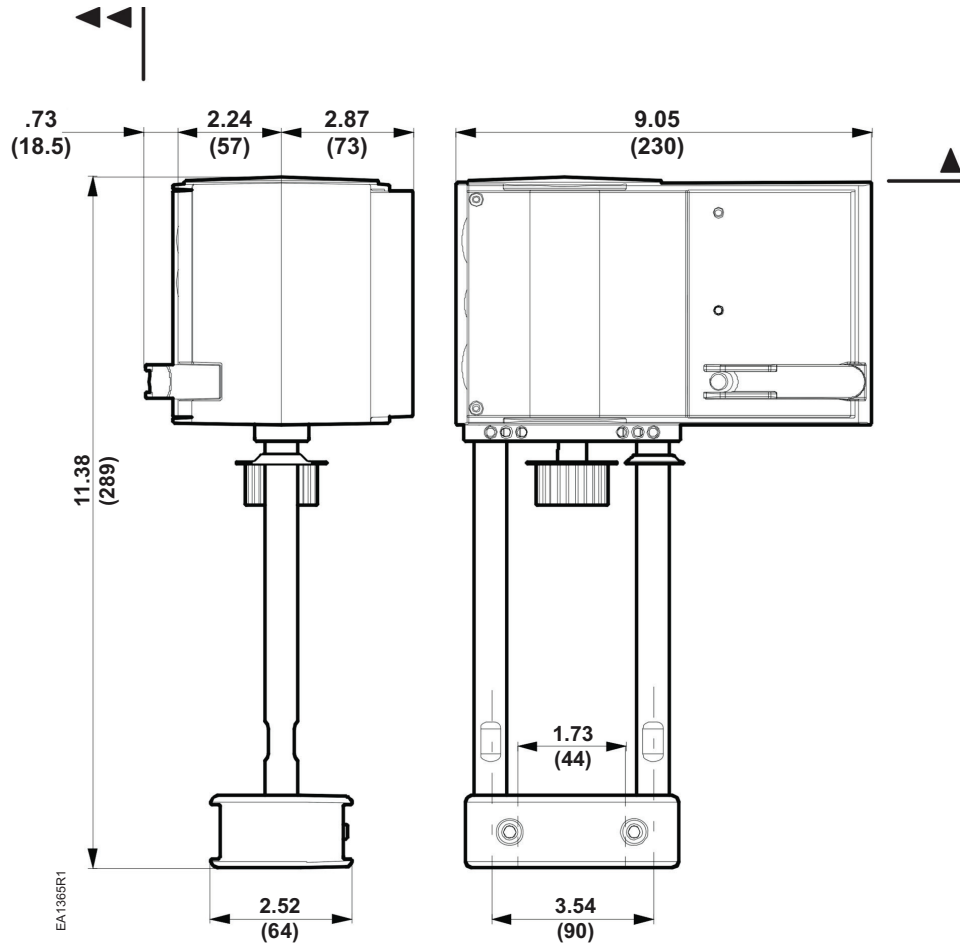
Electro-Motoric actuators to operate Siemens Pressure Independent Control Valves with 20 mm stroke as control valves for large air handling units and distribution of hot and chilled water.

A-97

Valves



Dimensions



Dimensions shown in inches (mm).

A-99

Valves